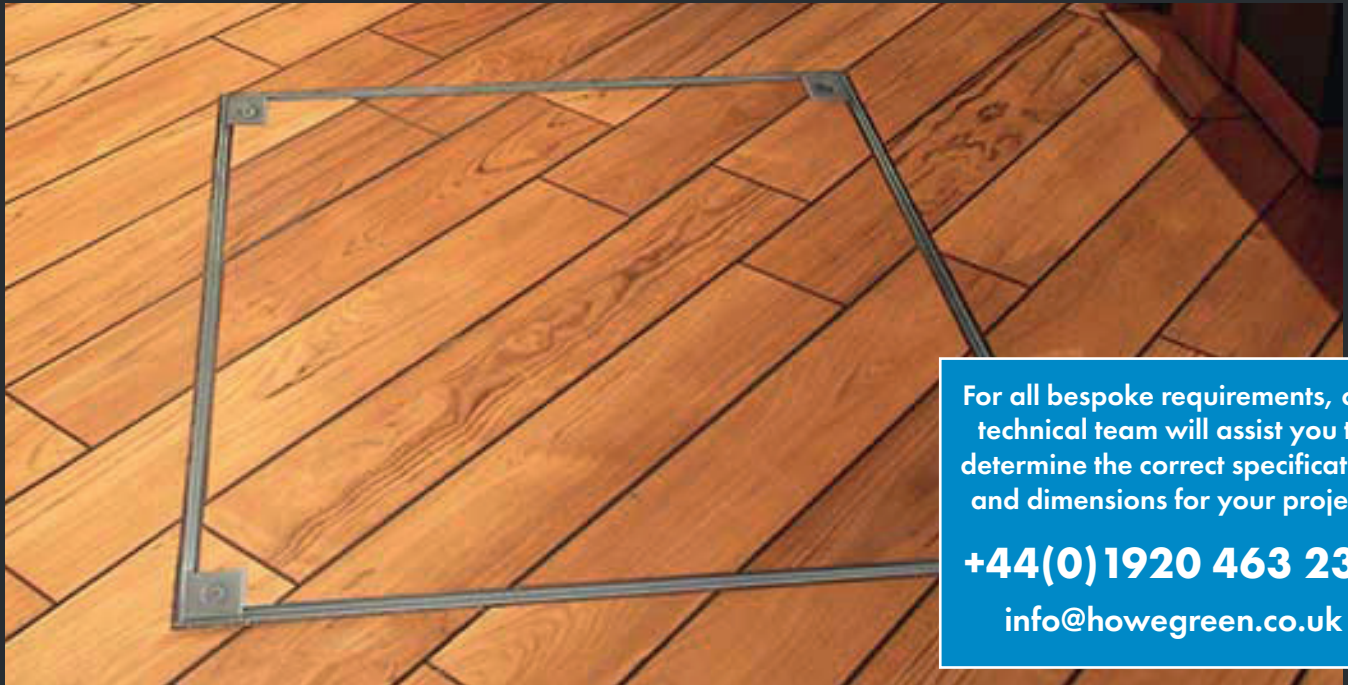


2500 Series WOOD FLOOR ACCESS COVERS



For all bespoke requirements, our technical team will assist you to determine the correct specification and dimensions for your project.

+44(0)1920 463 230

info@howegreen.co.uk

Stainless steel floor access cover trims for pedestrian traffic on wooden surfaces suitable for commercial, educational, civic and public buildings

» FEATURES

- Covers can be fitted easily and unobtrusively into all types of heavy duty timber floors up to 22 mm solid hardwood floors, timber strip and heavy duty laminate flooring
- Lifting blocks are anchored to the inner frame
- Stainless steel securing bolts are stiletto heel proof
- Fits within a standard timber floor, removing the need to cut rebates underneath the timber flooring
- Easy access to underfloor services using lifting keys
- Screwed sideways into the floor to allow movement with a floating timber floor
- Manufactured in the UK to BS EN ISO 9001:2015

» 2500 SERIES FLOOR ACCESS COVER TRIMS

Size

- Made to measure using the Howe Green patented system
- Manufactured in any size between the stated maximum and minimum dimensions
- Any configuration of ducts and branches can be created

Weight

- The weight of the access cover should be taken into account where ease of handling is an important consideration
- In all cases reference should be made to the Manual Handling Operations regulations 1992, which implement European Directive 90/269/EEC
- If loads are excessive, consideration should be given to the use of hydraulic lifters or our **HSE 75 range**

2500 Series STAINLESS STEEL SINGLE COVER TRIMS

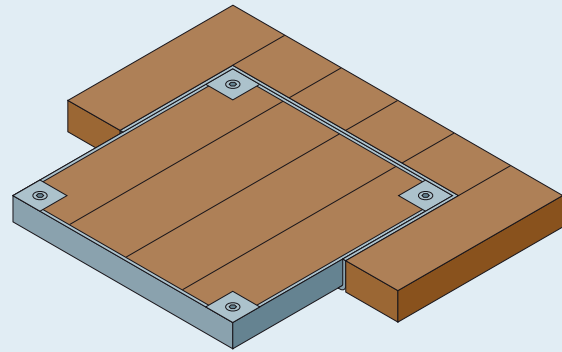
» FLOOR ACCESS COVER TRIMS FOR PEDESTRAIN TRAFFIC

Typical floor finishes

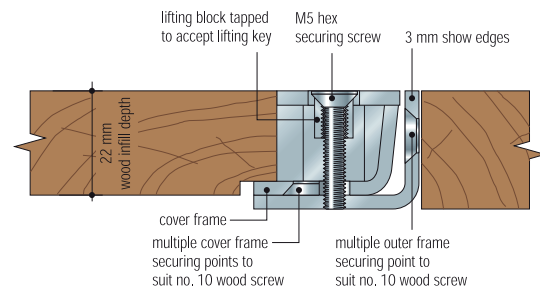
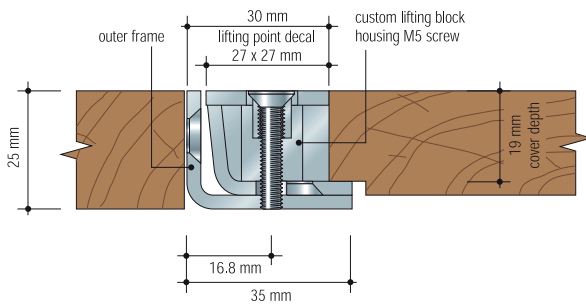
- All types of heavy duty timber floors

Performance

- Performance is subject to correct infill and installation
- Optional seal / Top edge seal
- Interior and exterior solid floors
- More information can be found at www.howegreen.com



Cross section showing timber sub floor (scale 1:2)



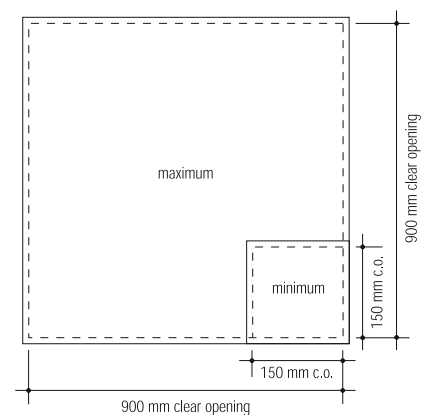
Size

- Overall frame size = clear opening + 70 mm
- Clear opening: 150 mm min – 900 mm max.
- Frame depth 25 mm
- Lifting points: corner
- Overall depth 25 mm
- Subject to correct infill/installation (see separate guide). See also general notes on the other side

Weight

- Weight 16kg/m²

Maximum/minimum sizes



» CONTACT US

Sales Enquiries

+44(0)1920 463 230 info@howegreen.co.uk www.howegreen.com

Innovation drive, Wolverhampton, West Midlands, WV9 5GA, UK

